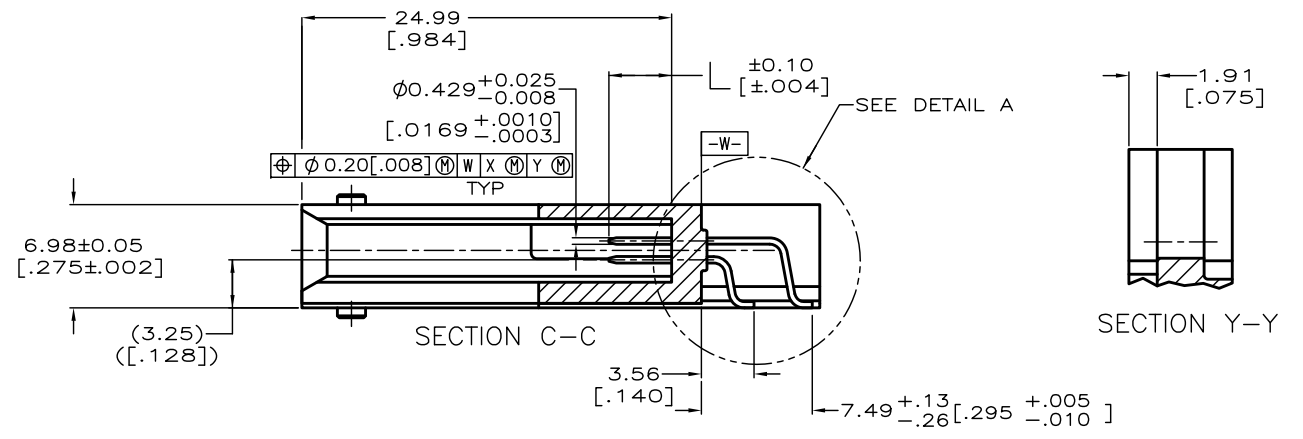
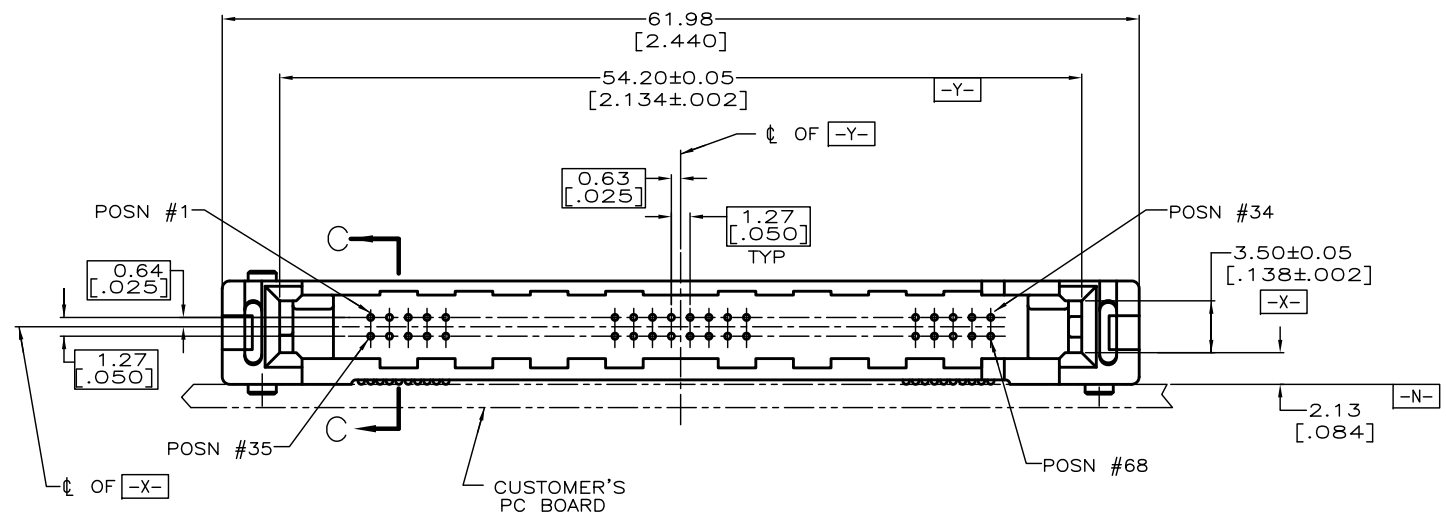
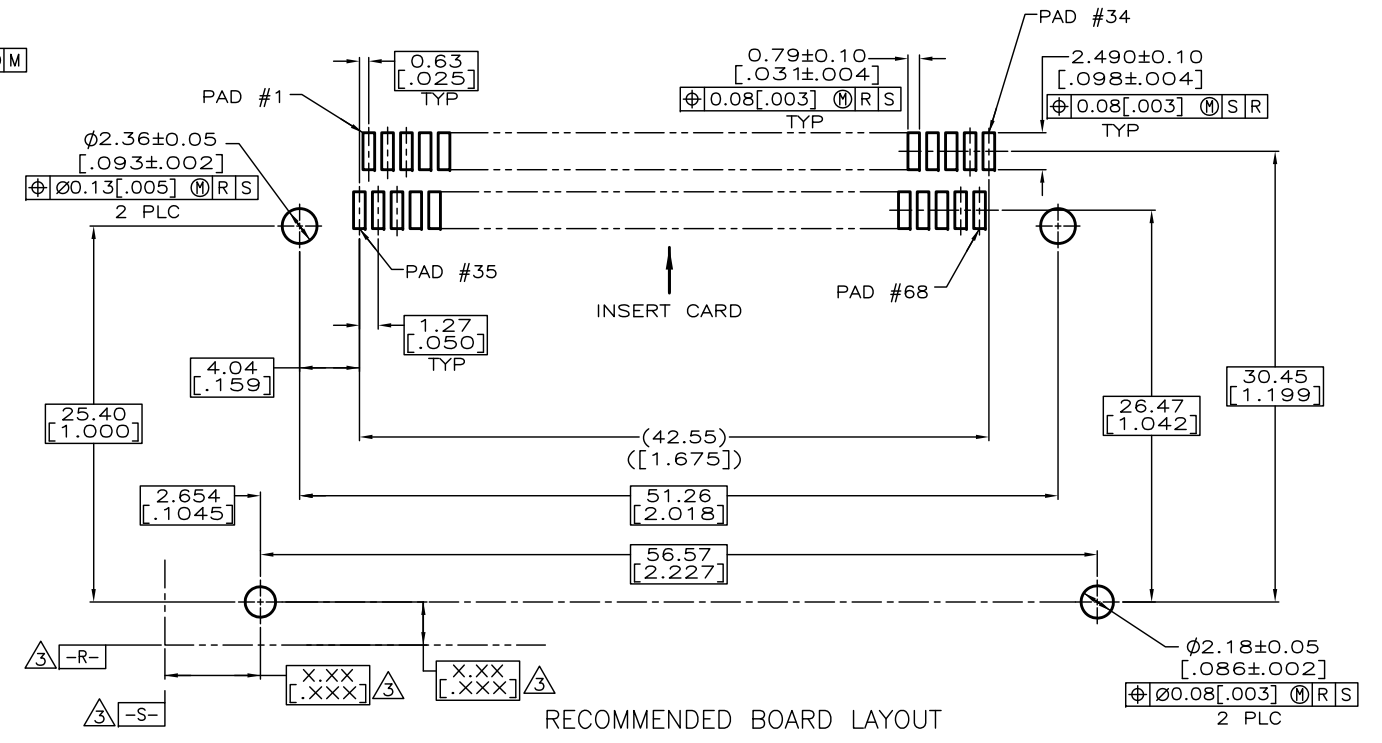
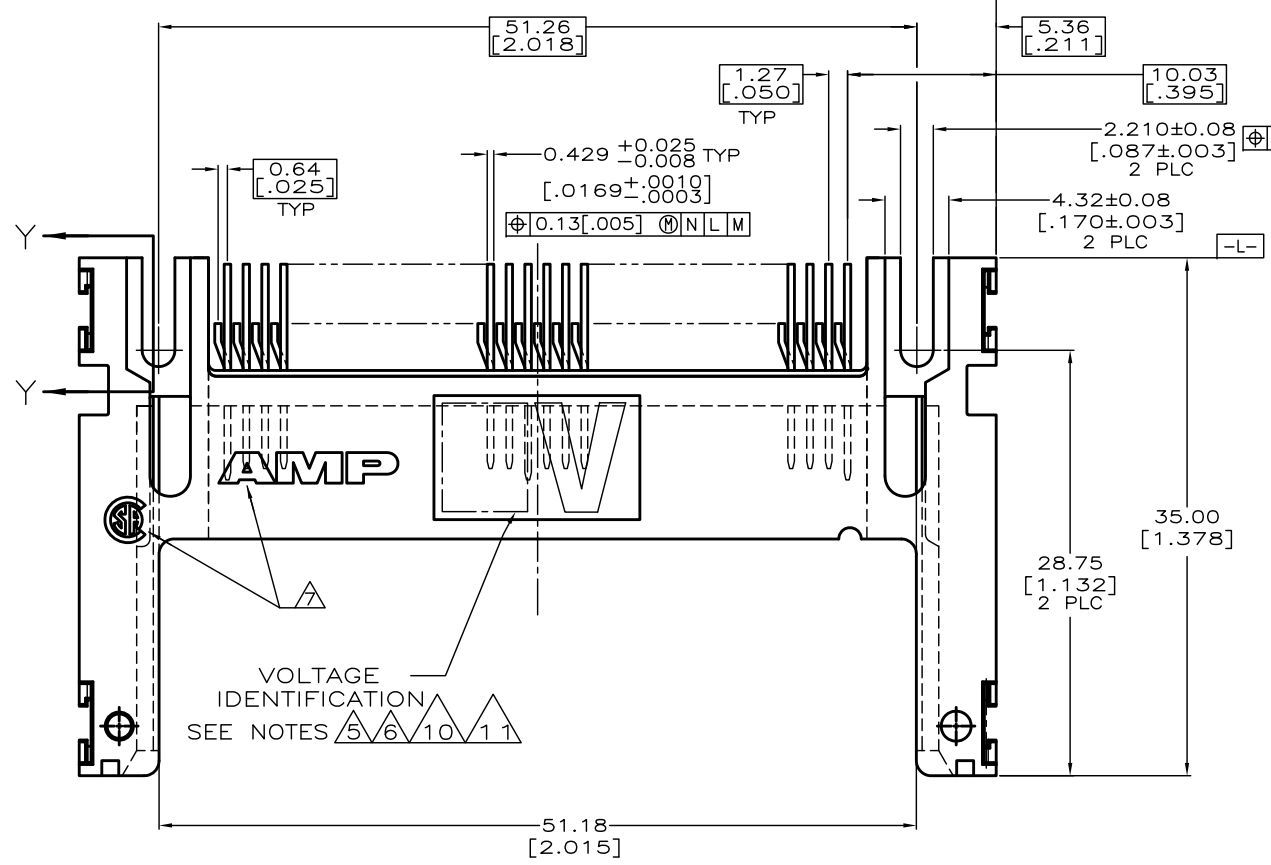
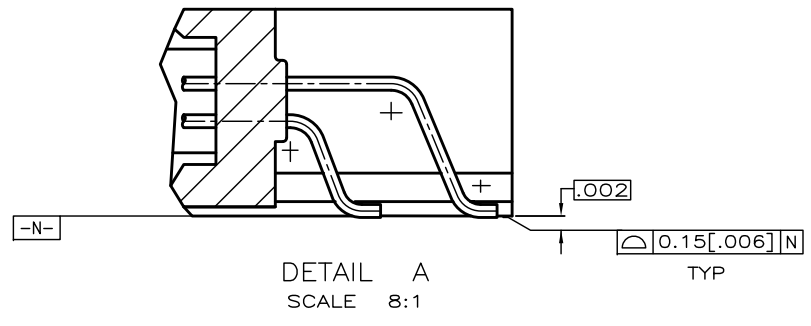


THIS DRAWING IS UNPUBLISHED. RELEASED FOR PUBLICATION
 BY TYCO ELECTRONICS CORPORATION. ALL RIGHTS RESERVED.

LOC	QTY	REV	DESCRIPTION	DATE	BY	CHK
GP	00	A	REVISED (ECR-12-018088)	26MAR'13	BW	HK



- 1 PIN: 0.00076[.000030] MINIMUM GOLD IN CONTACT AREA, 0.00381[.000150] MIN TIN ON SOLDER TAILS, ALL OVER 0.00127[.000050] MINIMUM NICKEL
- 2. CUSTOMER TO PROVIDE CARD GUIDANCE SYSTEM
- 3 DATUMS AND BASIC DIMENSIONS ESTABLISHED BY CUSTOMER
- 4. CONNECTOR REQUIRES USE OF 2 - SIZE 2M SCREWS FOR FASTENING TO PRINTED CIRCUIT BOARD
- 5 ASSEMBLY KEYED FOR 5 VOLT CARDS
- 6 ASSEMBLY KEYED FOR LOW VOLT CARDS (3.3V)
- 7 RECESSED AMP AND CSA LOGOS LOCATED ON BOTH SIDES OF HOUSING.
- 8 PACKAGE IN TRAYS, 9 X 17 INCH APPROXIMATE SIZE.
- 9 PACKAGE IN TRAYS, 9 X 12 INCH APPROXIMATE SIZE.
- 10 NO VOLTAGE IDENTIFICATION ON 5535651-5 KEYED FOR 5V CARDS.
- 11 NO VOLTAGE IDENTIFICATION ON 5535651-6. KEYED FOR LV CARDS.
- 12 HOUSING: LPC COLOR: BLACK PIN: BRASS.



QTY	DESCRIPTION	QTY	DESCRIPTION	QTY	DESCRIPTION	PART NUMBER
1,17,34	ALL OTHER PINS	36,67	ALL OTHER PINS	5535651-6		
35,51,68	ALL OTHER PINS	36,67	ALL OTHER PINS	5535651-5		
1,17,34	ALL OTHER PINS	36,67	ALL OTHER PINS	5535651-4		
35,51,68	ALL OTHER PINS	36,67	ALL OTHER PINS	5535651-3		
1,17,34	ALL OTHER PINS	36,67	ALL OTHER PINS	5535651-2		
35,51,68	ALL OTHER PINS	36,67	ALL OTHER PINS	5535651-1		
5.0	PACKAGING	4.25	PACKAGING	3.5	PACKAGING	PART NUMBER
[.197]	"L" (PIN LENGTH) AND LOCATION	[.167]	"L" (PIN LENGTH) AND LOCATION	[.138]	"L" (PIN LENGTH) AND LOCATION	

THIS DRAWING IS A CONTROLLED DOCUMENT.

DATE: 03-23-05
 BY: L. VARELA - DOCKS
 CHK: D.L. GORENC
 DATE: 03-23-05
 BY: M. WALMSLEY

Tyco Electronics Corporation
 Harrisburg, PA 17105-3608

PIN HEADER ASSY, 68 POSN, TOP BOARD MTG, SURFACE MT, AMP MEMORY CARD

WEIGHT: 6.5 GRAMS
 SIZE: A1
 CASE CODE: 00779
 DRAWING NO: 5535651

MATERIAL: 12
 FINISH: 1

CUSTOMER DRAWING

SCALE: 4:1 SHEET 1 OF 1 REV A

**COPYRIGHT 2005
 TYCO ELECTRONICS CORP
 ALL RIGHTS RESERVED**

13 OBSOLETE PARTS: OBSOLETE CIS STREAMLINING PER D.RENAUD/D.SINISI